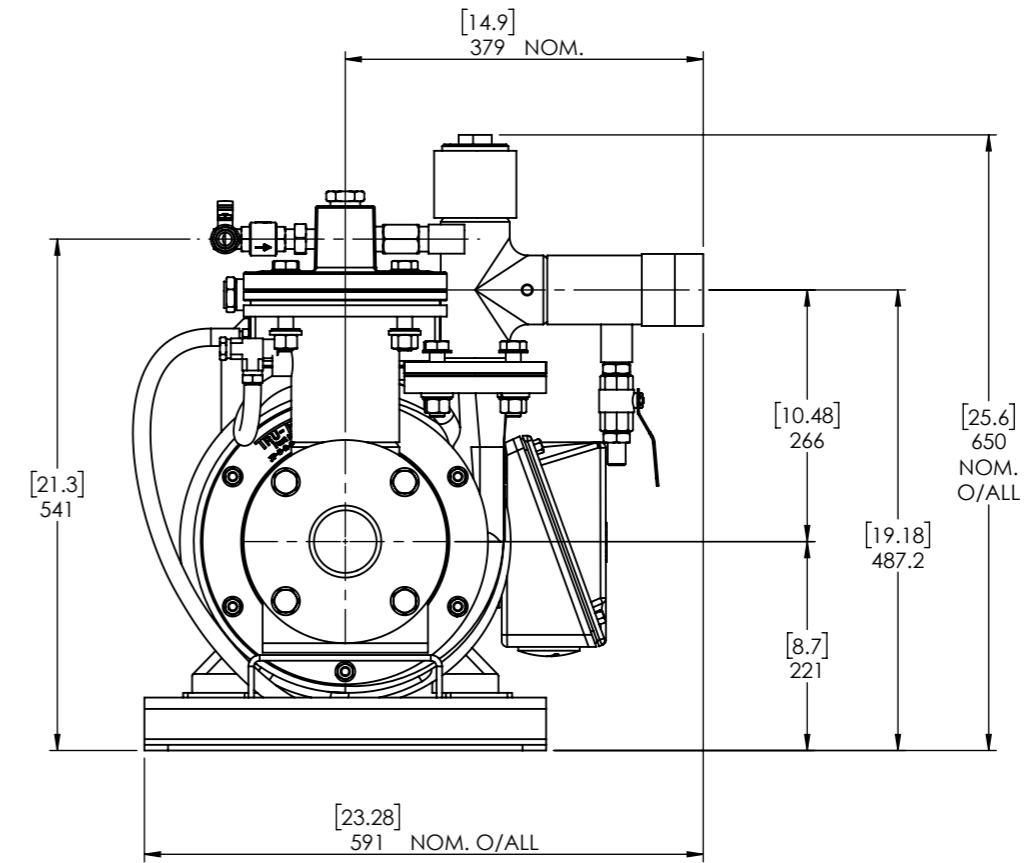
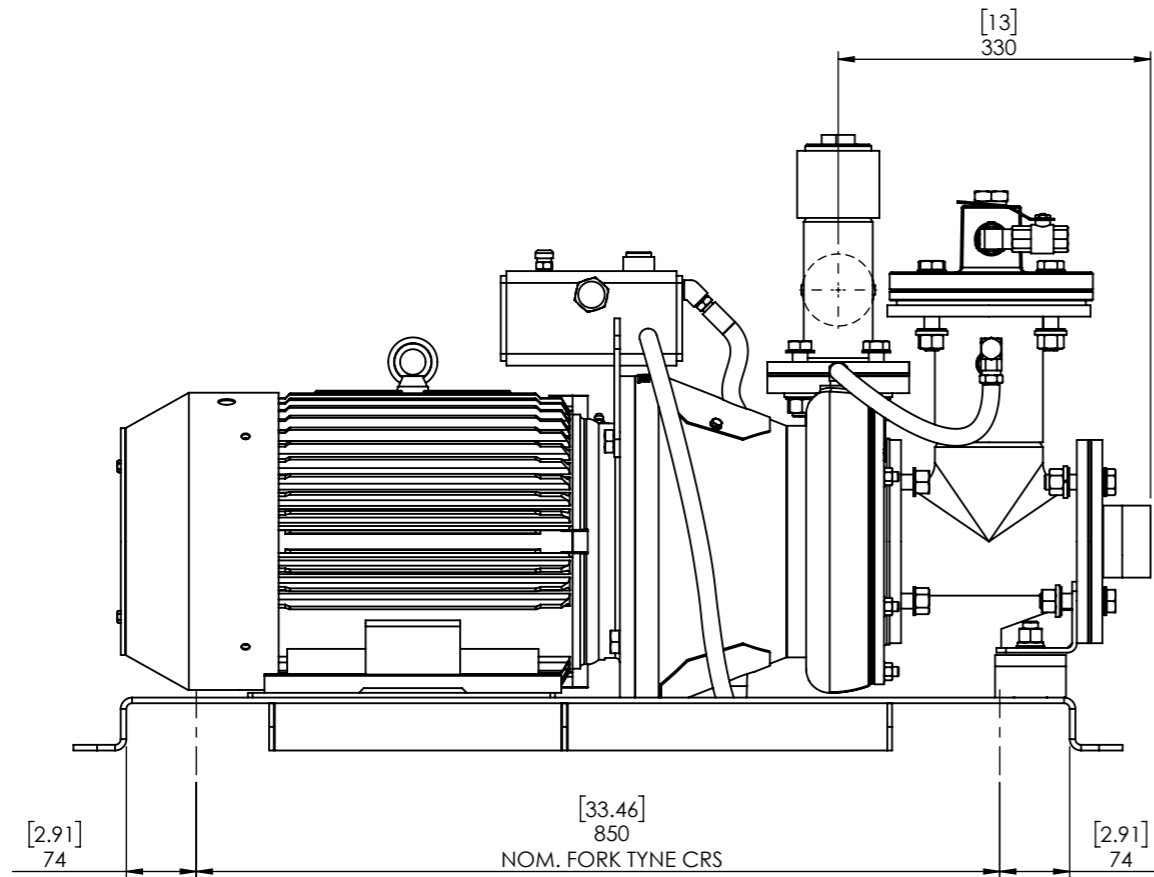
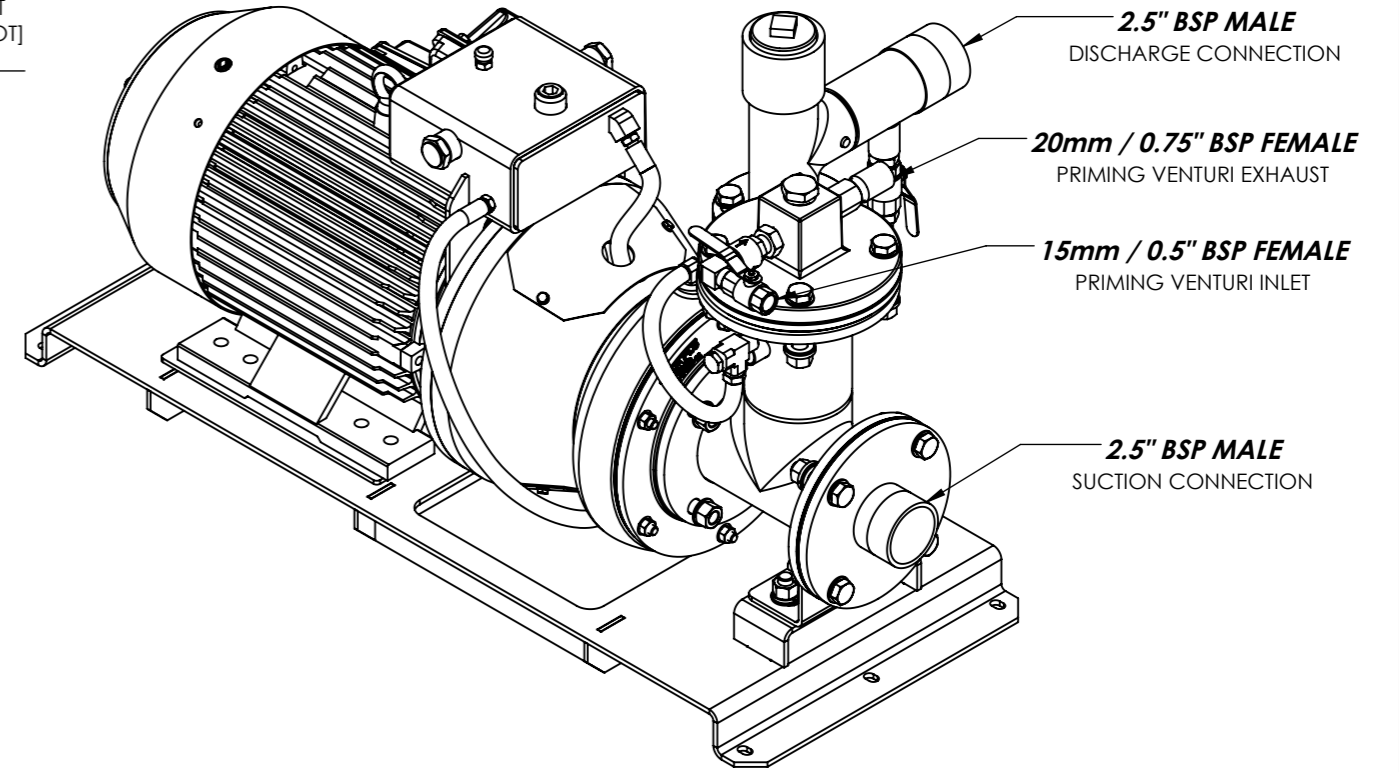
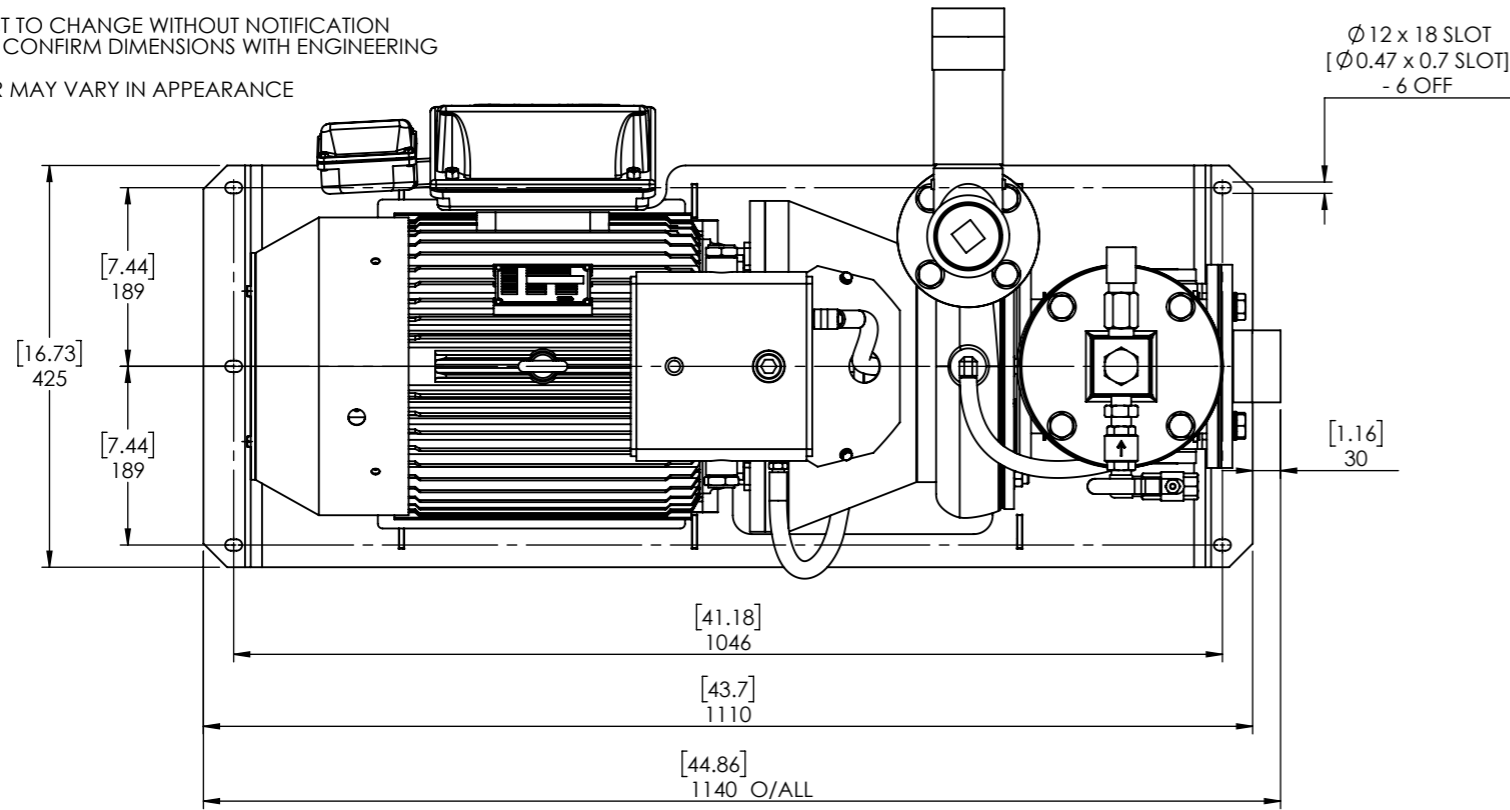


**TRUFLO JUMBO PUMP
CUSTOMER DRAWING**

DIMENSIONS IN mm, DIMENSIONS MARKED [x.x] IN INCHES

SUBJECT TO CHANGE WITHOUT NOTIFICATION
PLEASE CONFIRM DIMENSIONS WITH ENGINEERING

MOTOR MAY VARY IN APPEARANCE



ALL DIMENSIONS IN MILLIMETERS
DO NOT SCALE - IF IN DOUBT ASK

TRUFLO PUMPING SYSTEMS ABN 88
147 22 516 OWNS THE COPYRIGHT TO THIS
DRAWING WHICH IS ITS EXCLUSIVE
PROPERTY AND WHICH IS SUPPLIED IN
CONFIDENCE AND WHICH MUST NOT BE
USED FOR ANY PURPOSE OTHER THAN THAT
EXPRESSLY PERMITTED IN WRITING BY THE
OWNERS AND MUST NOT BE DISCLOSED OR
REPRODUCED WITHOUT PERMISSION FROM
THE OWNERS IN WRITING. THIS DRAWING
MUST BE RETURNED TO THE OWNERS WHEN
THE PURPOSE FOR WHICH IT IS SUPPLIED
HAS CEASED.



DRAWING TITLE		TRUFLO JUMBO PUMP - CUSTOMER DRAWING	
DRAWING NUMBER		TRUFLO-JP-3-2-CD	
REV		3	
DATE	BY	DATE	BY
30/09/2013	R.LUXFORD	30/09/2013	C.ALLBUT
30/09/2013	R.LUXFORD	30/09/2013	C.ALLBUT
SIZE	SCALE	ASSTD	SHEET NO.
A3	1:8	☐	1 OF 1